

Section A

Answer **all** questions in this section.

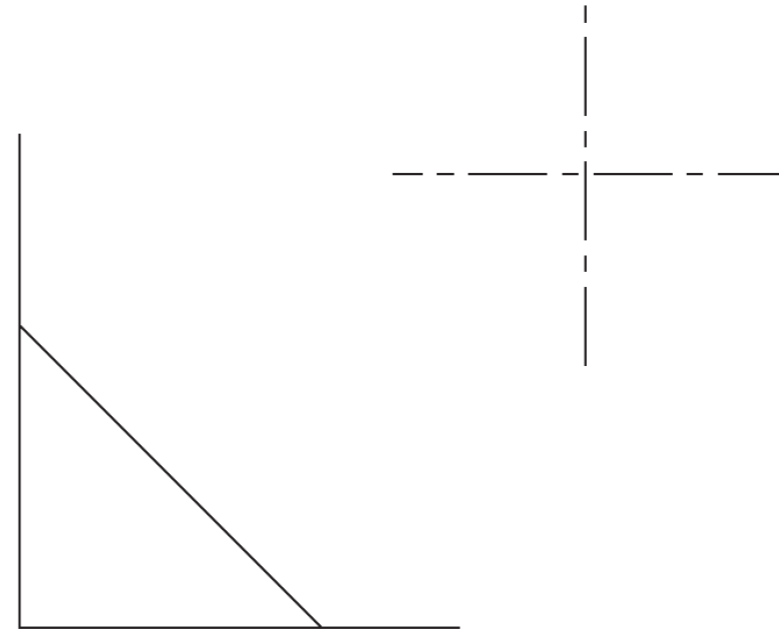
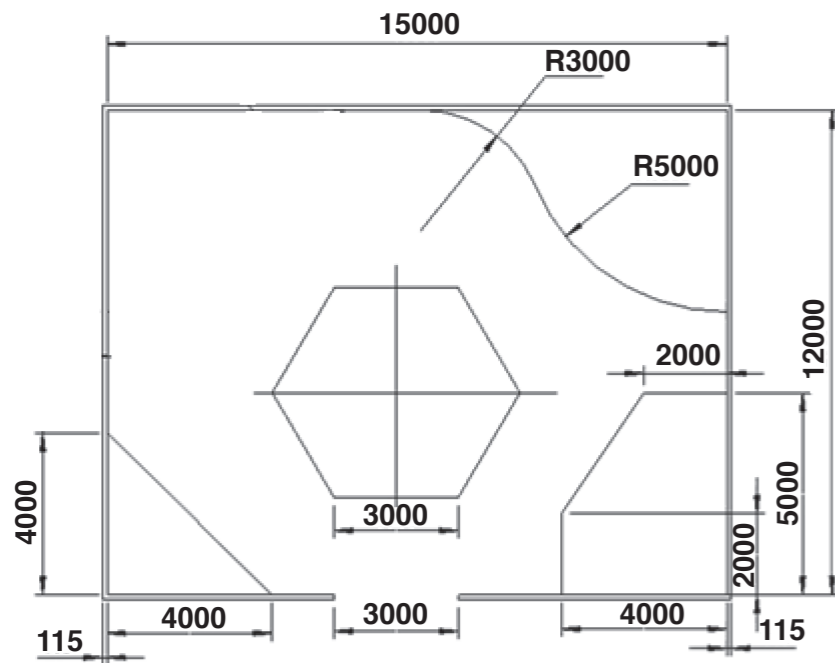
A1 Shown below is a sketch of a floor plan for displaying items sold at Mavela Sports shop.

On the right is an incomplete drawing of the floor plan.

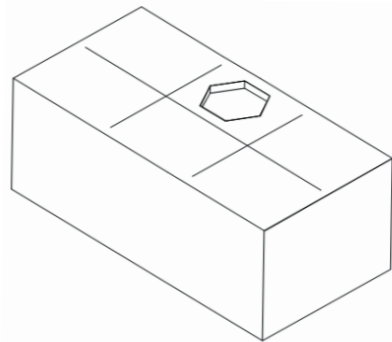
Complete the floor plan by constructing the missing details using the scale of 1: 100.

Ignore the thickness of the wall.

[9]



A2 Shown below is a child's shape sorter with one of the six shape holes drawn in position sold at Mavela Sports.

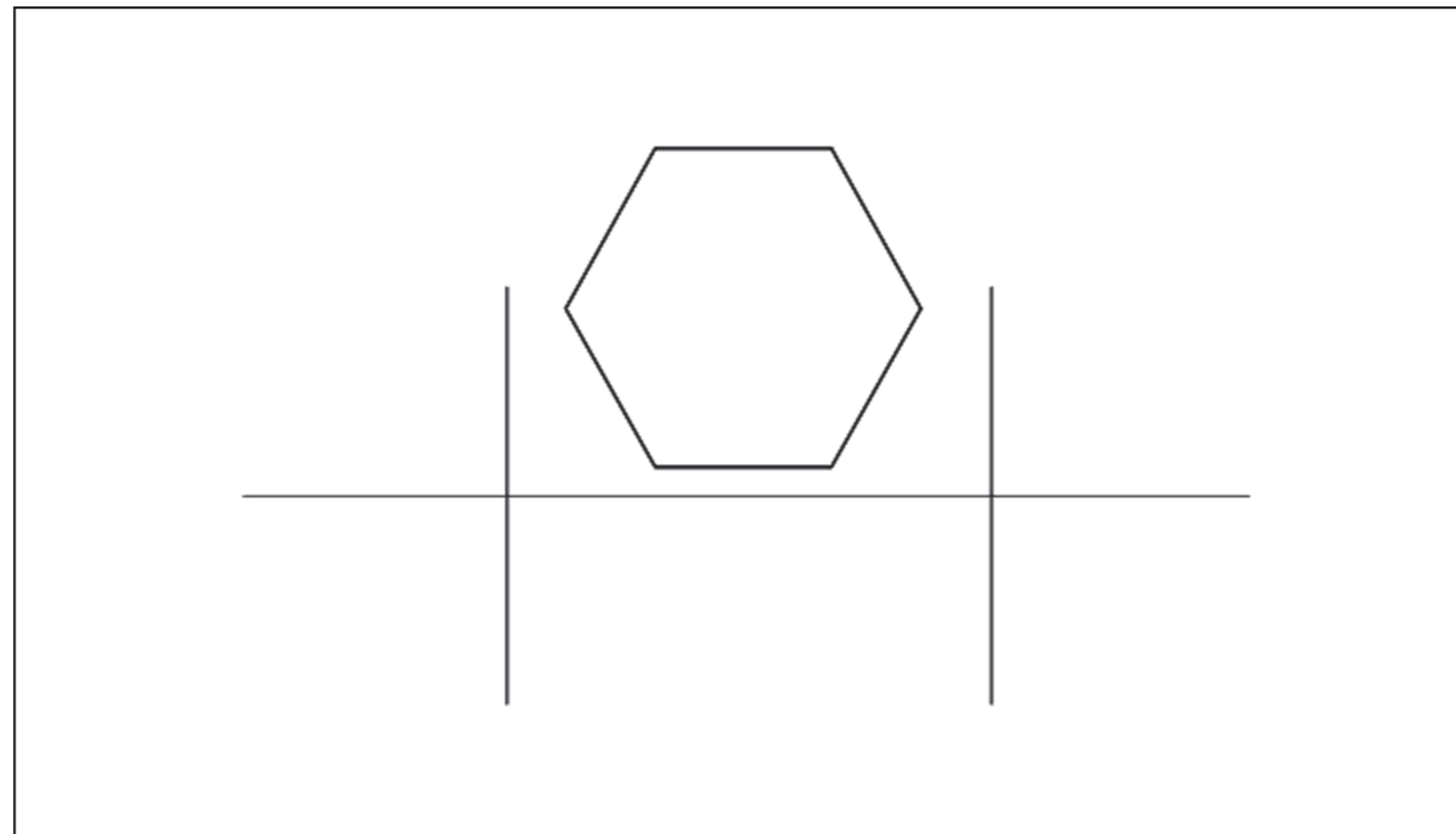


The full-size plan view of the shape sorter box, with one shape completed, is drawn to the right.

Complete the full-size plan view of the shape sorter box by drawing in the spaces provided:

- A regular octagon side 20;
- A diamond 40 x 50 diagonals;
- A rectangle hole 40 x 30;
- A semi-circle $\varnothing 50$;
- An equilateral triangle side 40.

[6]



Plan View of shape sorter box

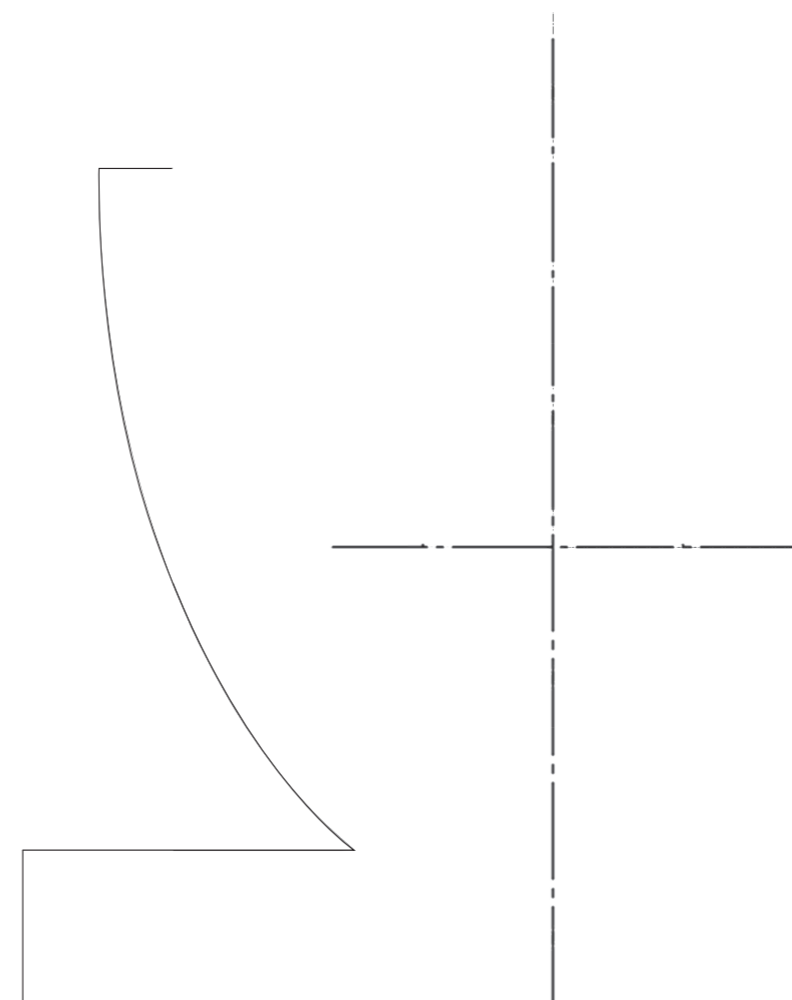
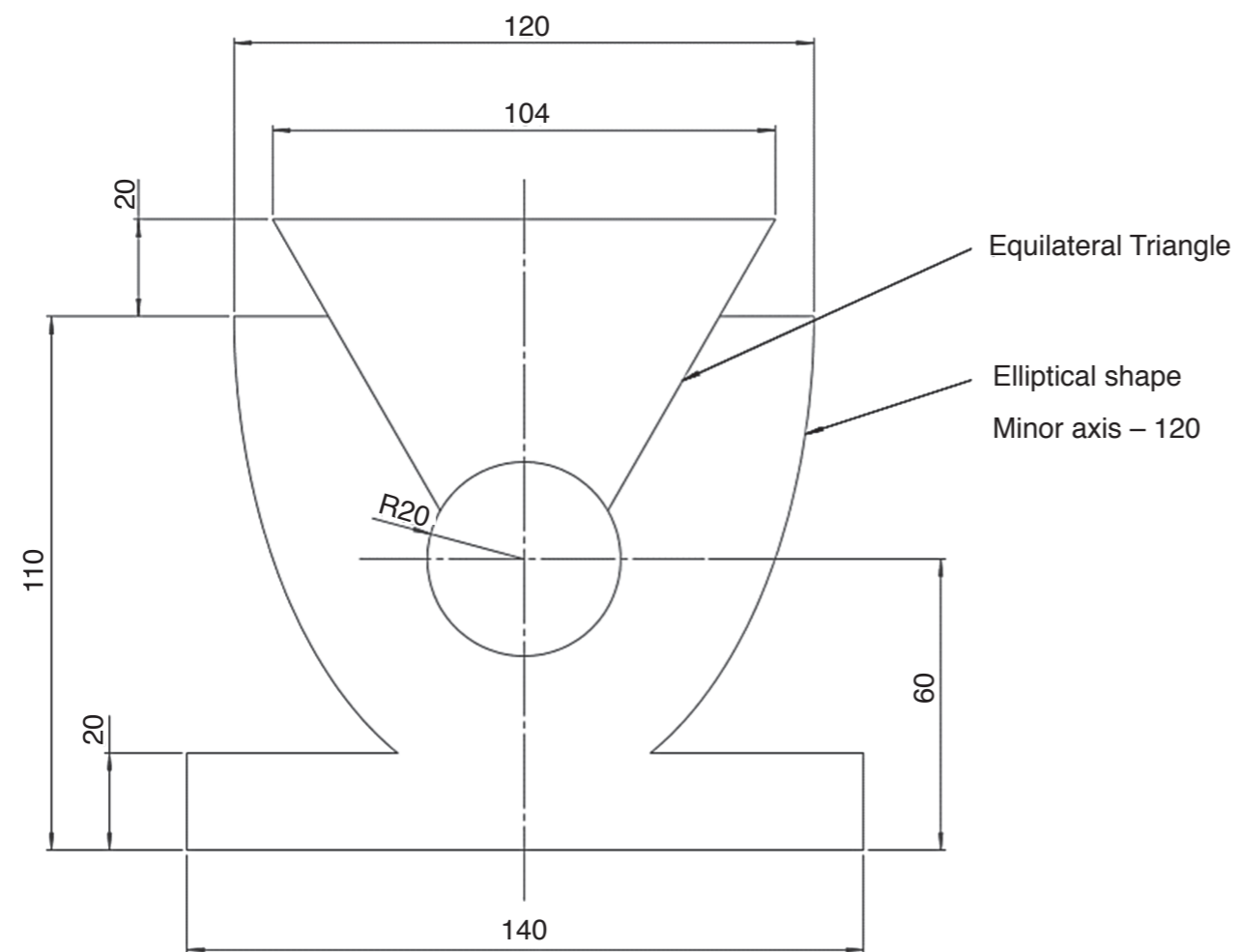
For
Examiner's
use

6902/02 Oct/Nov 2020 **1 hour**
© ECESWA 2020

Centre Number Candidate's Number Candidate's Surname Other Names **[Turn over]**

A3 Shown below is a logo used by Mavela Sports shop for branding products.

Complete the full size drawing of the logo to the right by constructing the missing details. [10]



Section B

Answer **either** question **B4** or **B5**.

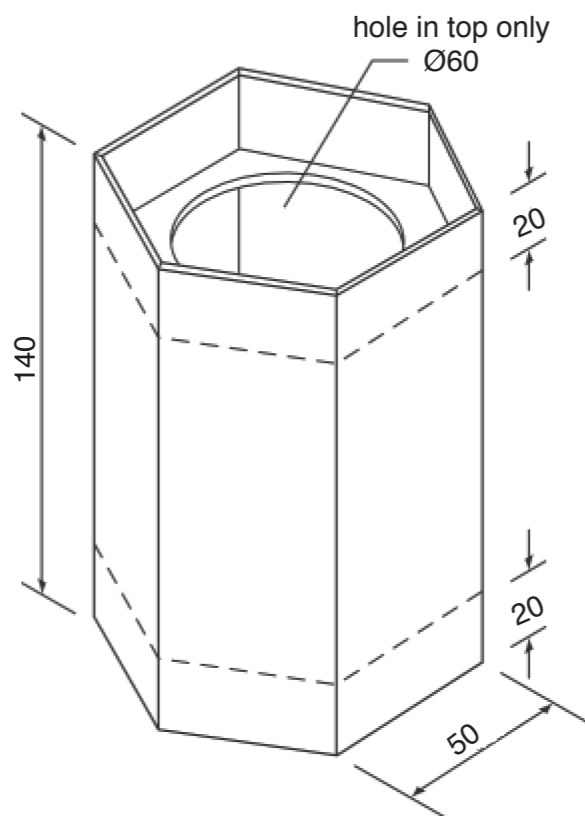
B4 The sketch below shows a model of a raffle ticket box placed at Mavela Sports shop. The box is made from 2 mm thick card.

Use the space to the right:

- (a) Draw to a scale of 1:2 a development (net) of the box. Include the top, base and all flaps. Ignore the thickness of the card. [15]

In the space indicated:

- (b) Sketch an appropriate lid for the box and show a handle that can enable easy opening. [10]



For
Examiner's
use

6902/02 Oct/Nov 2020 **1 hour**
© ECESWA 2020

Answer Part **B** here

Centre Number Candidate's Number Candidate's Surname Other Names **[Turn over]**

B5 (a) The quantities of sporting items sold in Mavela sports shop on one day of the year in 2019 were as follows:

Sneakers 90

Shorts 45

Vests 60

Soccer balls 30

Tennis rackets 120

Volleyballs 15

In the space to the right, draw a pie chart to show the distribution of each product as part of the total sales in the shop that day. [7]

(b) The seasonal sales for sports in the shop in 2019 are shown in the table below.

Shop sales 2019			
	Athletics season	Soccer season	Volleyball season
Spike shoes	90	70	60
Soccer jersey	45	65	45
Volley ball kits	35	45	65
TOTAL	170	180	170

(i) In the space below, draw a **two-dimensional** bar chart to show the sales of soccer jerseys for the three seasons in 2019. [3]

(ii) In the space provided below, draw a **three-dimensional** bar chart to show the difference in sales of all three products in the athletics and the soccer season of 2019. [15]